

QUOTE REQUEST

LIFT TABLE ENCLOSURES



www.hennigworldwide.com

Please complete this form and email to info@hennig-inc.com or fax to your desired location.
Find your nearest Hennig location.

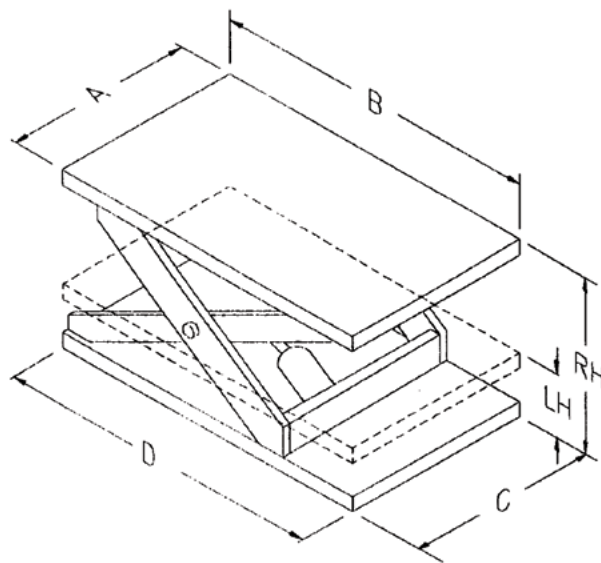
COMPANY *(complete address)*

Name _____
Title _____
E-mail _____
Phone _____ Fax _____ Date ____/____/____

DIMENSIONS

A _____
B _____
C _____
D _____

Raised Height _____
Lowered Height _____
Number of Units _____



MOUNTING

Inside Mount Outside Mount

ENVIRONMENT

Brief description _____

QUESTIONS? 815-316-5122